

Chlorinators / Brominators



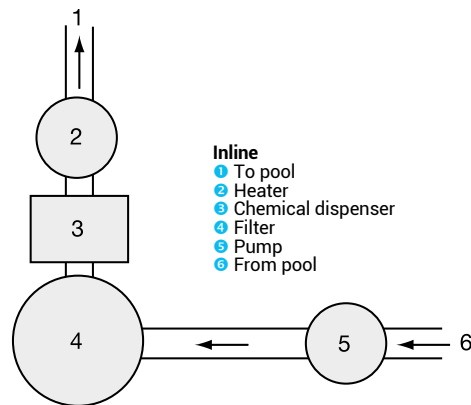
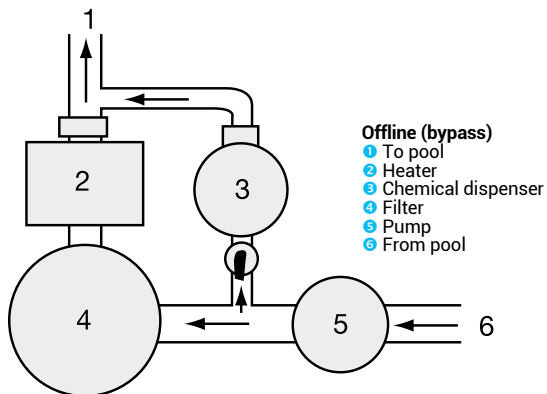
CL0200EURO



C0500EXPE



C0250EXPE



CAPACITY
2.5 KG - 4 KG

Item	Description	Capacity	Dimensions	Max. pool size (chlorine or bromine)
CL0100EURO	Inline chlorinator (for 1.5" connection)	2.5 kg	206 x 390 mm	95 m ³
CL0200EURO	Inline chlorinator (for 1.5" connection)	4 kg	290 x 390 mm	150 m ³
CL0110EURO	Off-line (bypass) chlorinator	2.5 kg	170 x 356 mm	95 m ³
CL220EURO	Off-line (bypass) chlorinator	4 kg	200 x 400 mm	150 m ³
CL0110BREURO	Off-line (bypass) brominator	2.5 kg	170 x 356 mm	27 m ³
CL0220BREURO	Off-line (bypass) brominator	4 kg	200 x 400 mm	43 m ³

HIGH CAPACITY
7 KG - 14 KG

Description	C0250EXPE*	C0500EXPE*
Capacity	7 kg	14 kg
Ø Connection	3/4"	3/4"
Dimensions	445 x 267 mm	700 x 267 mm
Maximum dissolution rate - chlorine	700 g/h	800 g/h
Maximum pool size for chlorine	265 m ³	530 m ³
Maximum dissolution rate - bromine	35 g/h	50 g/h
Maximum pool size for bromine	75 m ³	150 m ³

* Included connectors